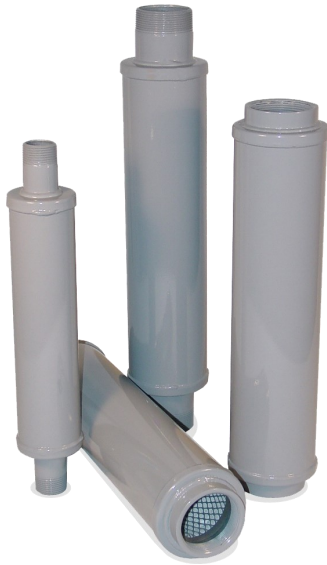




Side Channel Blower Silencer 1 1/4" - 4"



Features

- Layered sound absorbent media
- Designed for minimal pressure drop; baffles, internal tubes, and other restrictive devices are unnecessary
- For inlet and discharge inline air service
- Corrosion resistant carbon steel construction
- Powder coat finish: 1/2" to 1-1/2"
- Epoxy coat finish: 2" to 4"

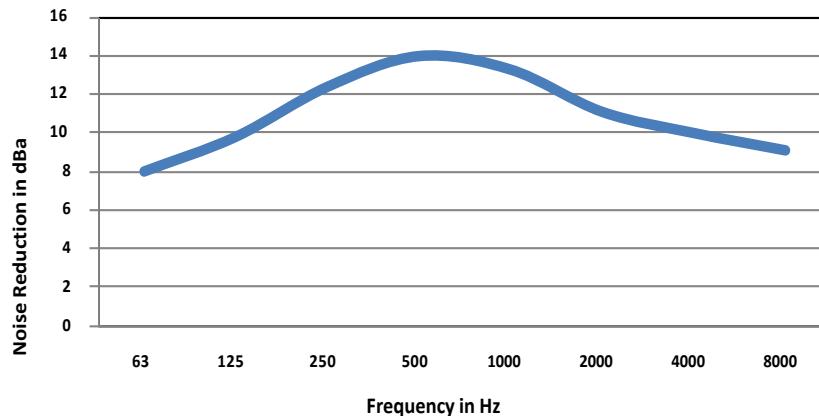
Technical Specifications

- Max. temperature (continuous): 225°F (107°C)
- Due to the wide range of equipment and environments; please contact factory for typical noise attenuation for your application.

Options

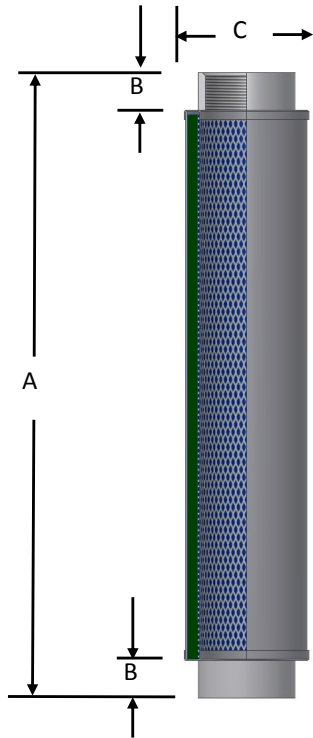
- Flange adapters
- Larger sizes
- Special connections
- Hi-temp models

Typical Noise Attenuation



- Noise attenuation may vary due to the wide range of applications and machines

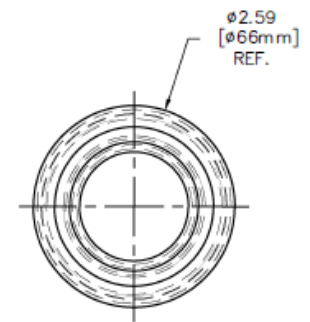
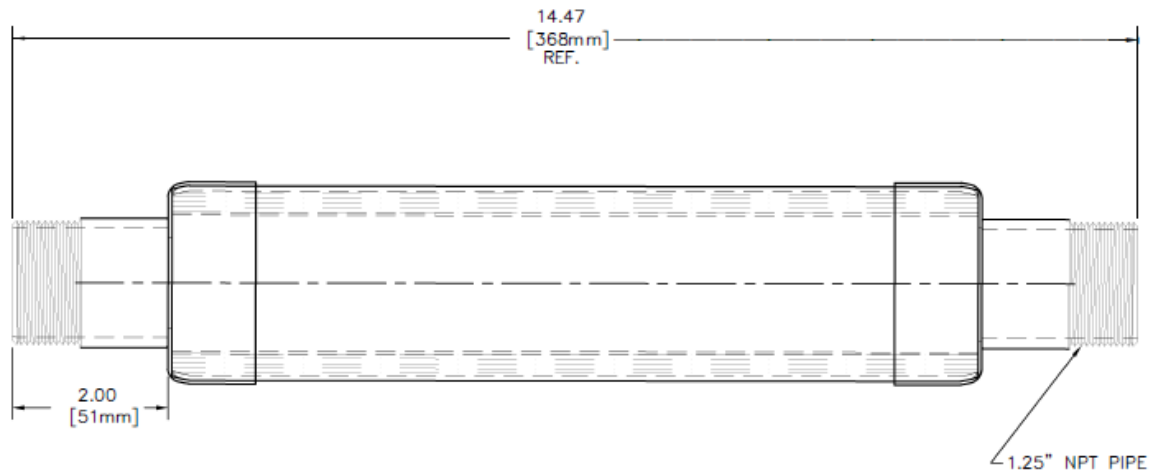




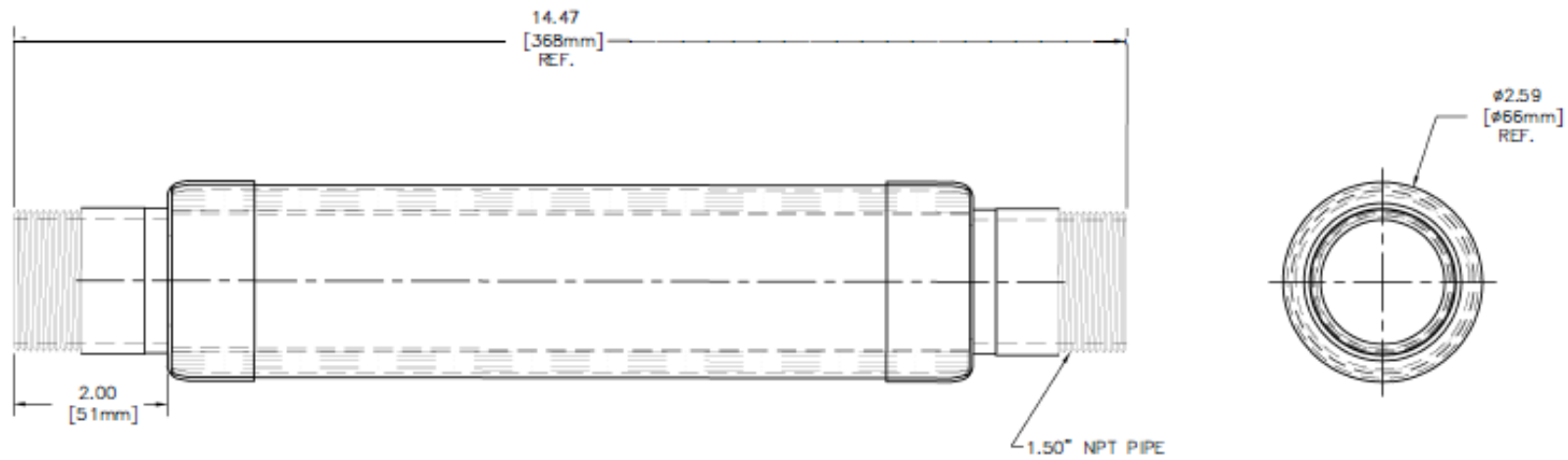
Inlet/ Outlet		Assembly SCFM Rating	Part Number	Dimensions - inches			Approx. Wt. lbs.
Size	Type			A	B	C	
1 1/4"	NPSC	55	PBSL40001	12	3/4	2 5/8	2
1 1/2"	NPSC	155	PBSL40002	12	3/4	2 5/8	3
2"	NPSC	270	PBSL40003	15 3/4	3/4	3 5/8	4
2 1/2"	FPT	385	PBSL40004	20 7/8	1 1/4	4 5/8	6
3"	FPT	575	PBSL40005	26	1 9/16	5 3/16	7
4"	FPT	575	PBSL40006	24 11/16	1 3/4	10	10

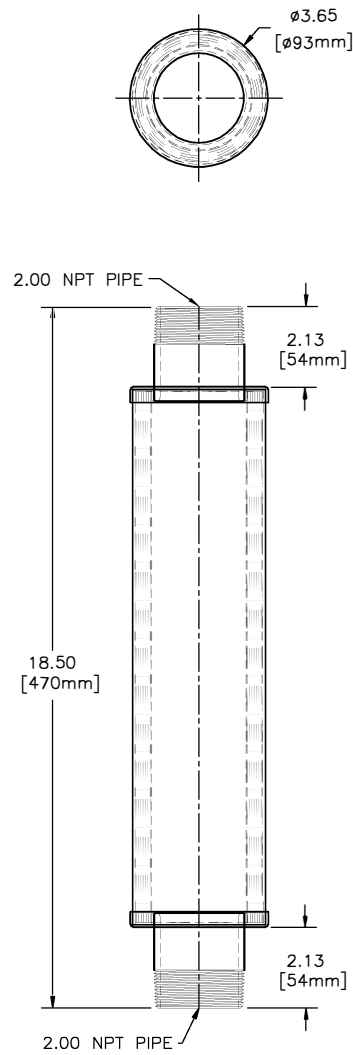


1 1/4"



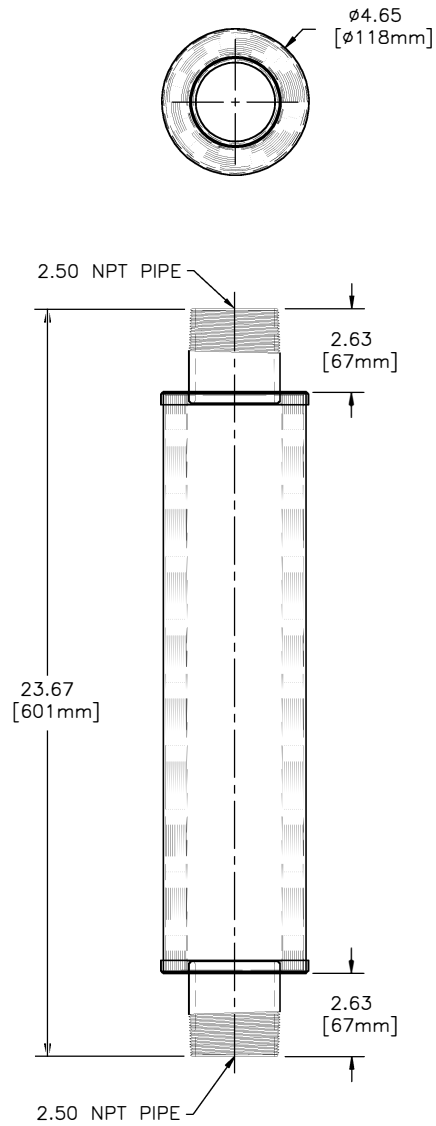
1 1/2"



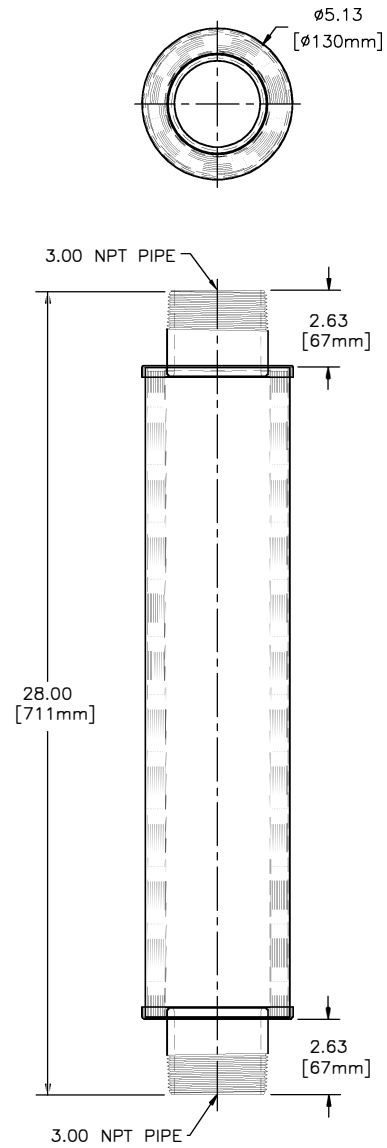


2"



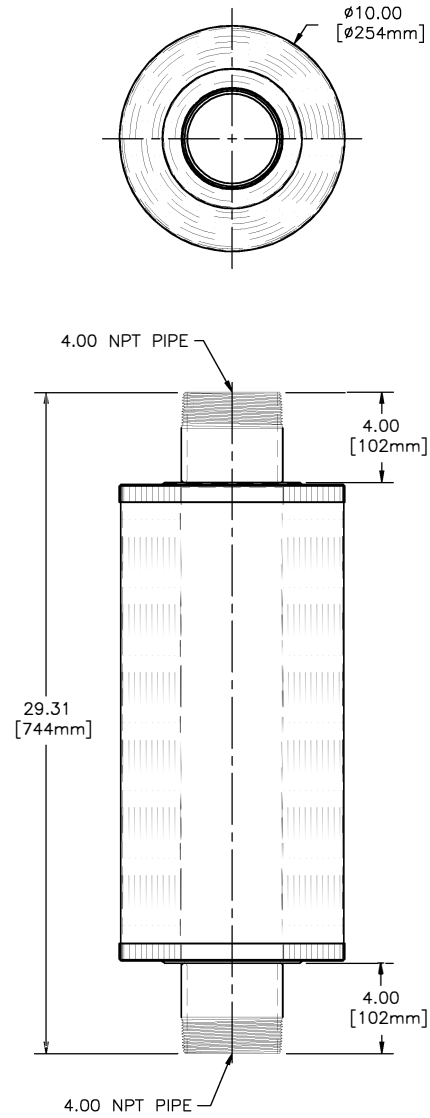


2 1/2"



3"





4"

