



"L" Style Vacuum Filters 3/8" - 3", 3" - 6" MPT, 4" - 12" FLG



Features

- Seamless drawn housings
- O-ring seal
- Corrosion resistant carbon steel construction
- Powder coat finish
- Stainless steel torsion clips for durability

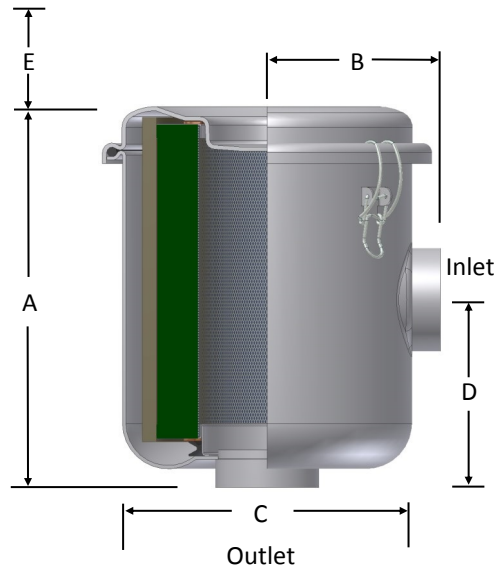
Options

- Vacuum gauge
- Higher holding capacity configurations available (select models)
- Material/Finishes: stainless steel, epoxy coating
- Support brackets
- Alternative top-to-canister fastening system for low pressure or pulsating systems
- Stainless steel (select models)

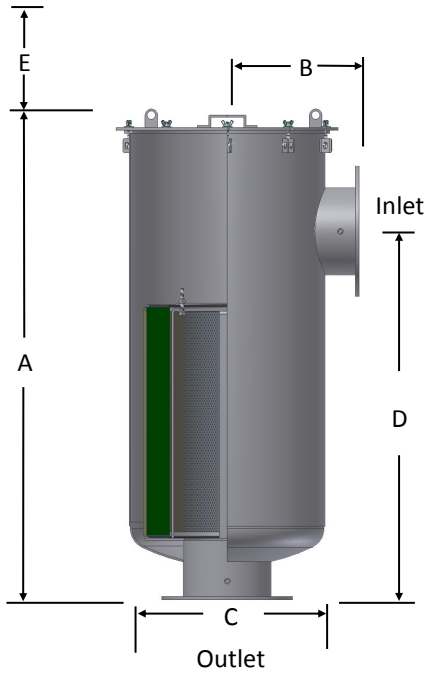
Technical Specifications

- Vacuum Rating: Medium vacuum service**
- Temp (continuous): min -15°F (-26°C) max 220°F (104°C)
- Filter change out differential: 15-20" H₂O over initial Δ P
- Polyester: 99%+ removal efficiency standard to 5 micron
- Paper: 99%+ removal efficiency standard to 2 micron



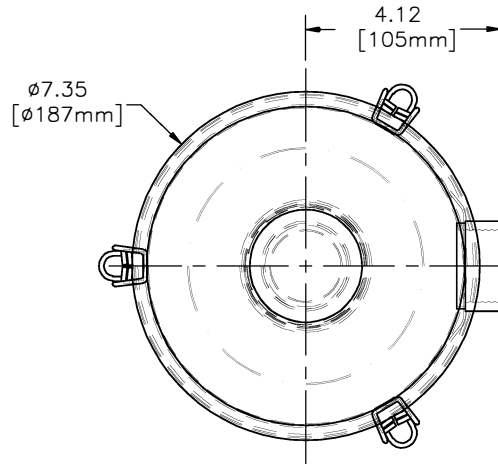


Inlet/ Outlet Size	Assembly Type	SCFM Rating	Housing Config.	Assembly Part Number		Dimensions - inches				Suggested Service HT. E	Approx. Wt. lbs	Replacement Element Part No.		Element SCFM Rating
				Element	Canister	A	B	C	D			Polyester	Paper	
1 1/4"	NPSC	60	C	PBEV12001	PBCV13001	6 11/16	4 1/8	7 3/8	4 1/2	5	5	849	848	115
1 1/2"	NPSC	80	C	PBEV12002	PBCV13002	6 3/4	4 1/8	7 3/8	4 1/2	5	5	849	848	115
2"	NPSC	175	D	PBEV12003	PBCV13003	10 1/4	4 1/2	8 3/4	5	9	15	851	850	290
2 1/2"	FPT	210	D	PBEV12004	PBCV13004	10 11/16	5 1/8	8 3/4	5 1/2	9	15	851	850	290

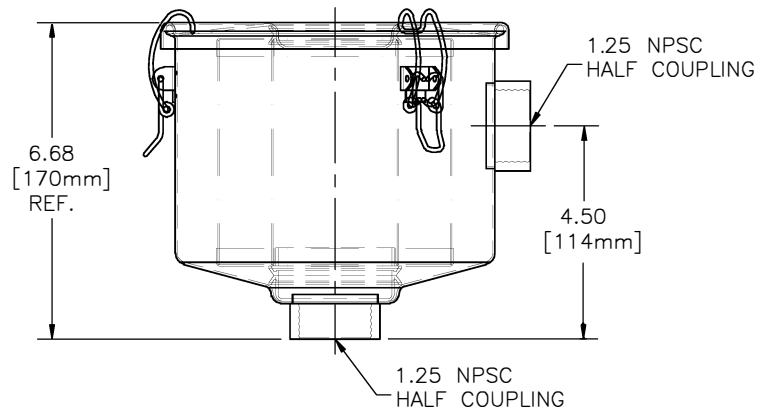


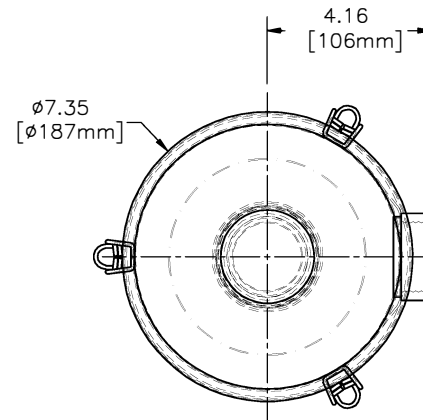
Inlet/ Outlet Size	Assembly SCFM Rating	Housing Config.	Assembly Part Number		Dimensions - inches				Suggested Service HT. E	Approx. Wt. lbs	Replacement Element Part No.		Element SCFM Rating
			Element	Canister	A	B	C	D			Polyester	Paper	
4"	520	C	PBEV12005	PBCV13005	27 3/8	9	14	18 1/2	15	55	335P	334P	800



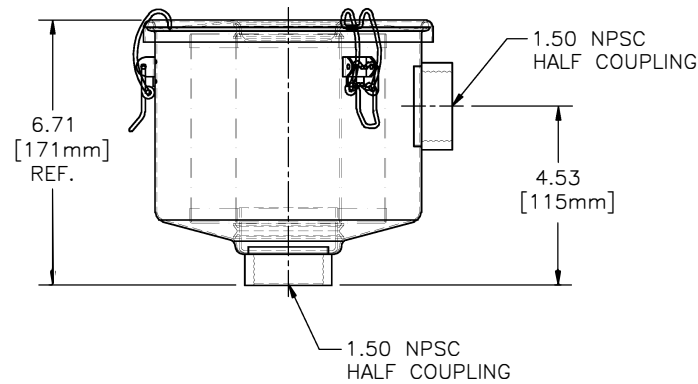


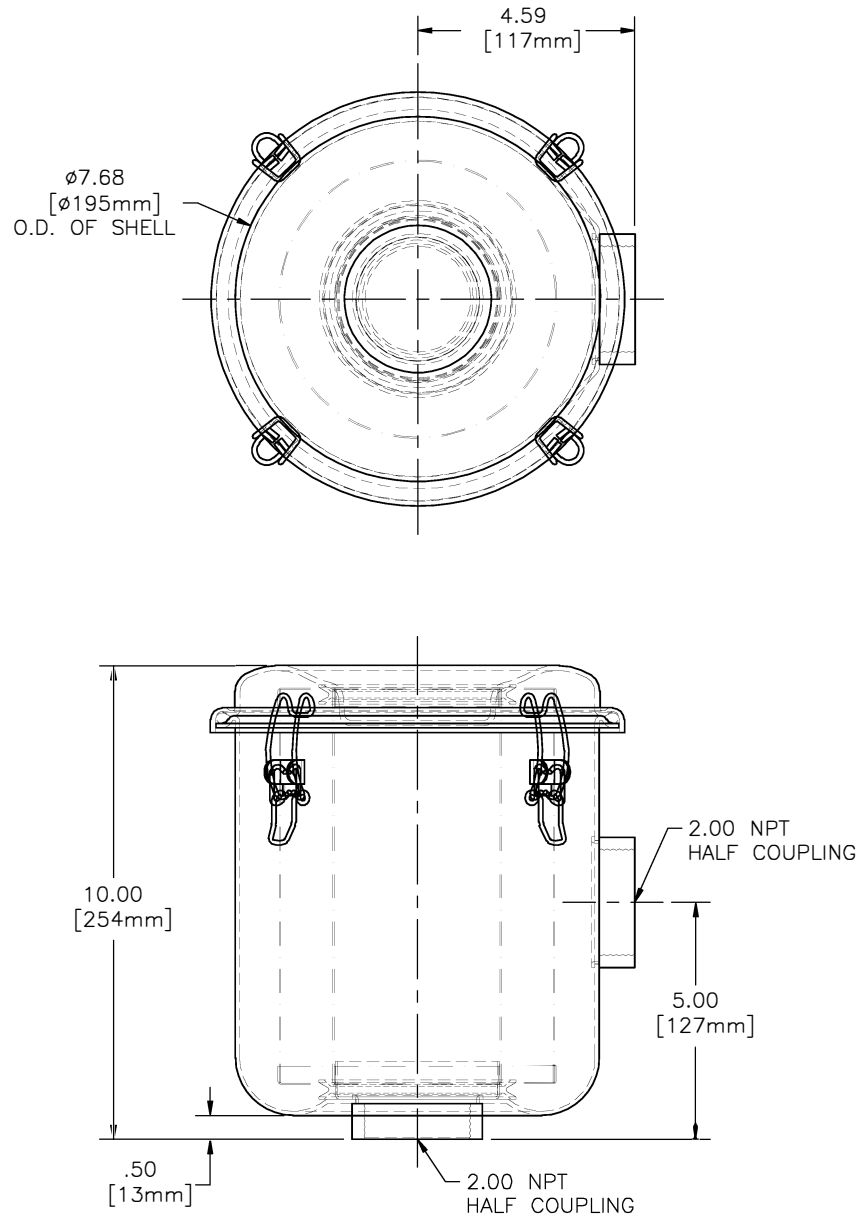
1 1/4"





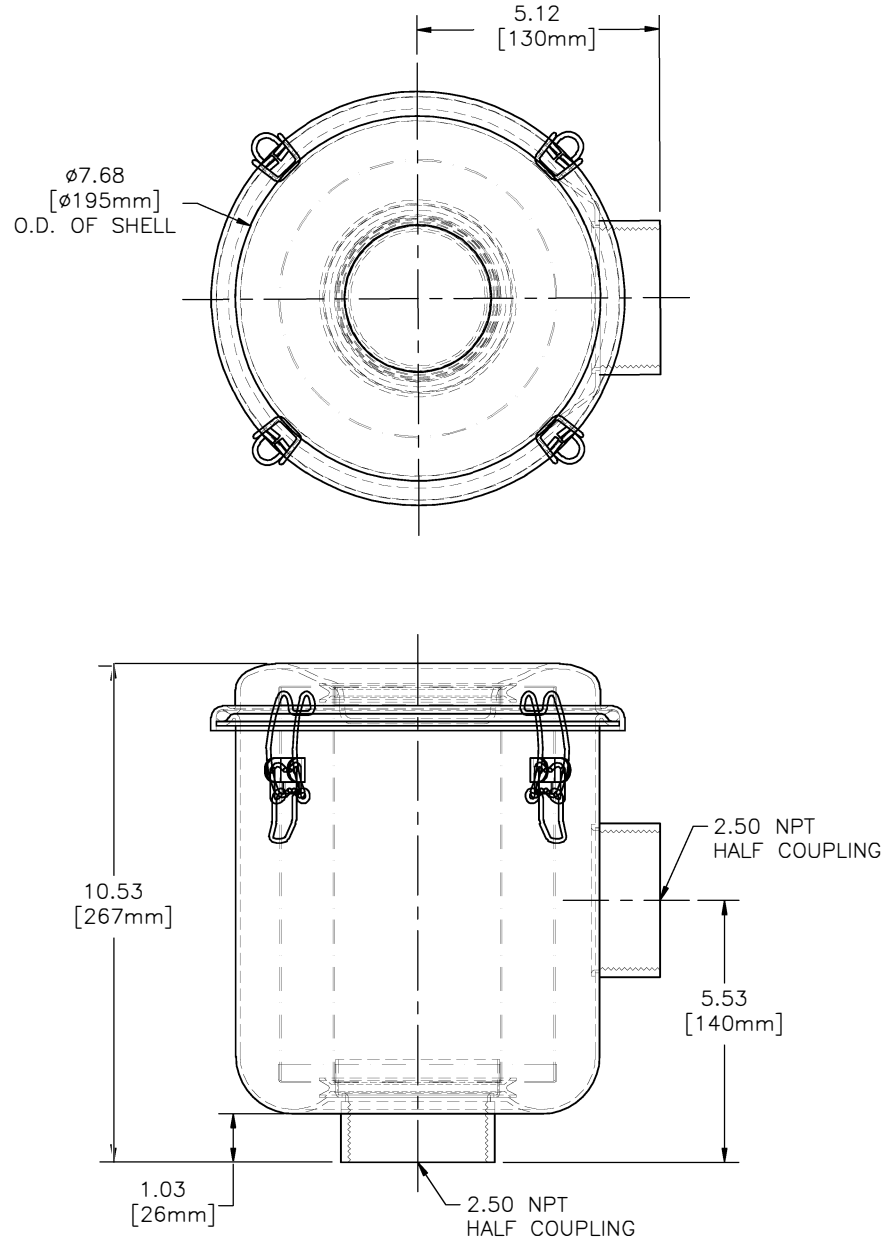
1 1/2"





2"





2 1/2"

