



## Compact Inlet Pressure Filters 1/2" - 6" MPT, Flange



### Features

- Fully drawn weatherhood - no welds to rust or vibrate apart
- Low entry velocity air gap between base and cover
- Heavy gauge base with low pressure drop outlet pipe and center bracket design
- Durable carbon steel construction with powder coat finish

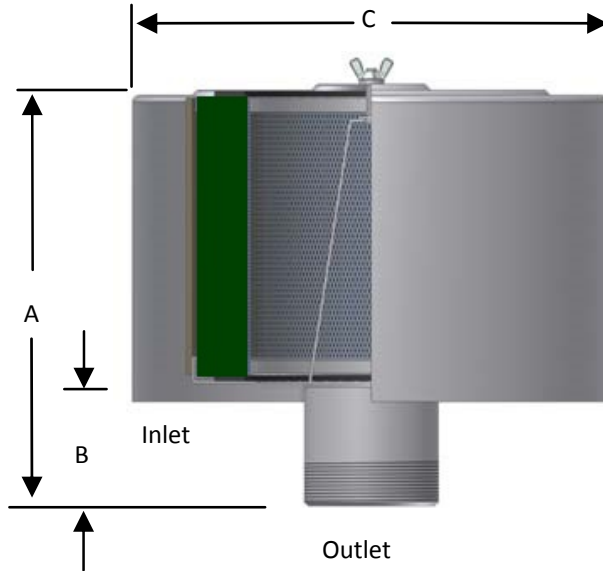
### Technical Specifications

- Temp (continuous): min -15°F (-26°C) max 220° F (104°C)
- Filter change out differential: 15-20" H<sub>2</sub>O over initial  $\Delta$  P
- Pressure drop graphs available upon request
- Polyester: 99%+ removal efficiency standard to 5 micron
- Paper: 99%+ removal efficiency standard to 2 micron

### Options

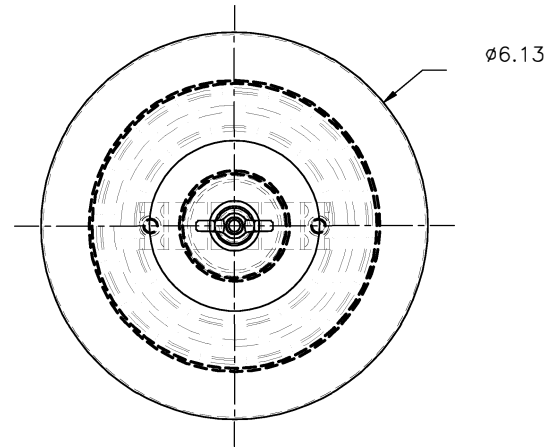
- 1/8" tap holes available for 3" and larger connections
- Pressure drop indicator
- Various media for different environments
- Stainless steel construction
- Epoxy coated finish
- Special connections



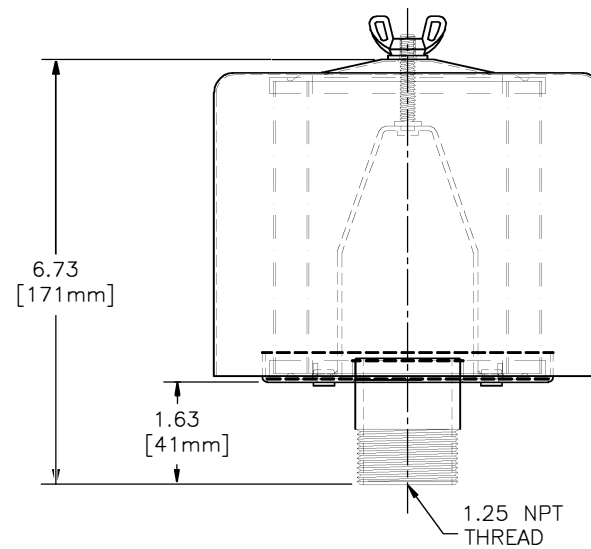


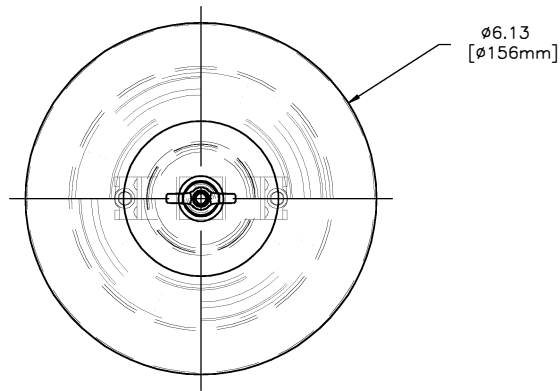
**MPT Outlet Connections**

MPT Outlet	Assembly SCFM Rating	Assembly Part Number		Dimensions - inches			Approx. Wt. lbs	Replacement Element Part No.		Element SCFM Rating
		Element	Canister	A	B	C		Polyester	Paper	
1 1/4"	70	<b>PBEP10001</b>	<b>PBCP11001</b>	6 5/8	1 5/8	6	3	19P	18P	100
1 1/2"	85	<b>PBEP10002</b>	<b>PBCP11002</b>	6 5/8	1 5/8	6	3	19P	18P	100
2"	135	<b>PBEP10003</b>	<b>PBCP11003</b>	7 1/4	2 1/4	7 3/4	5	31P	30P	195
2 1/2"	195	<b>PBEP10004</b>	<b>PBCP11004</b>	7 1/2	2 1/2	7 3/4	6	31P	30P	195
4"	520	<b>PBEP10005</b>	<b>PBCP11005</b>	14	4	16	26	275P	274P	1100

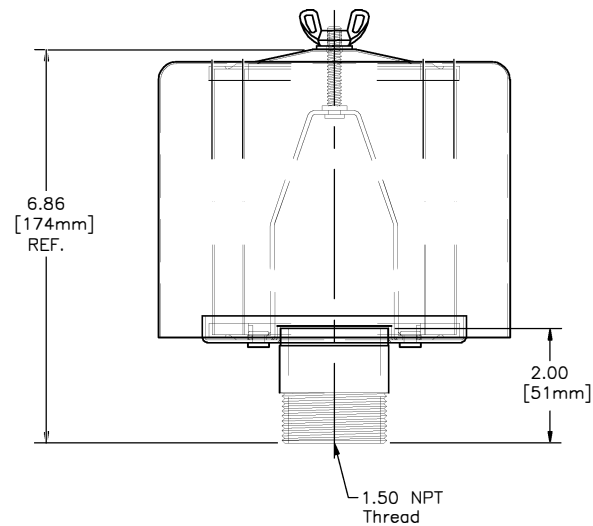


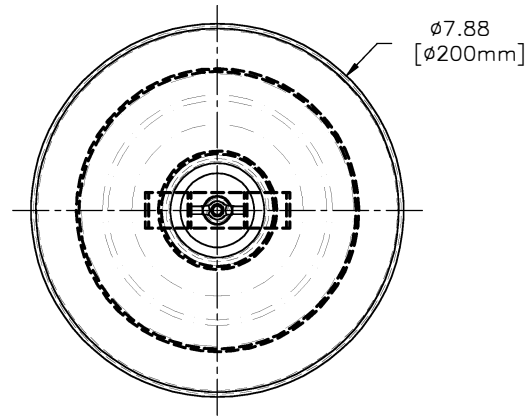
1 1/4"



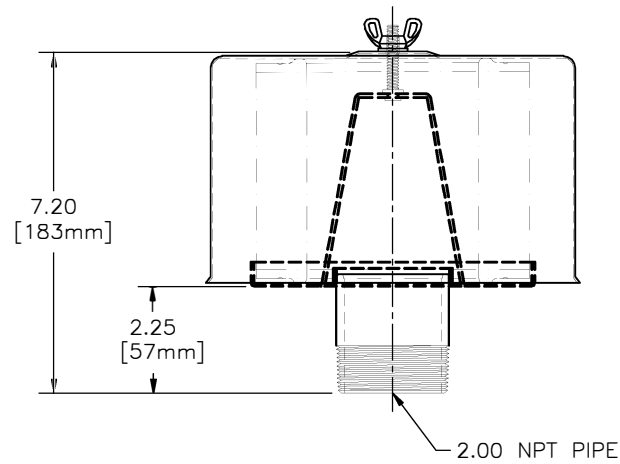


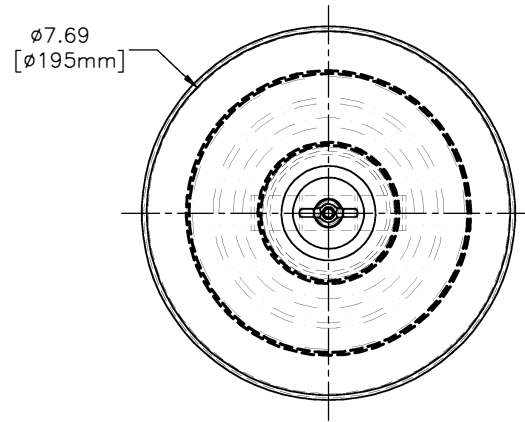
1 1/2"



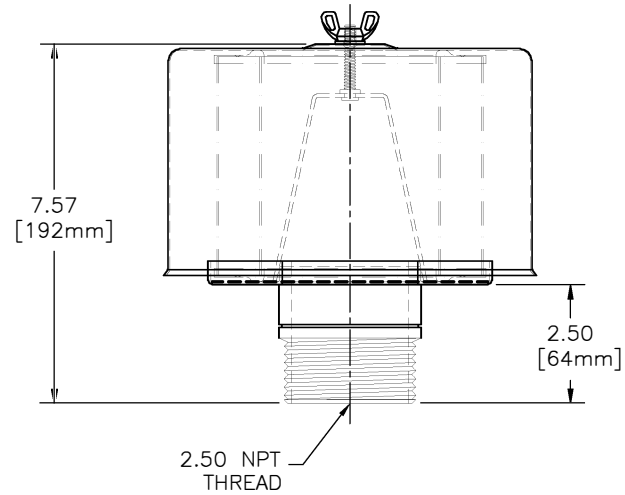


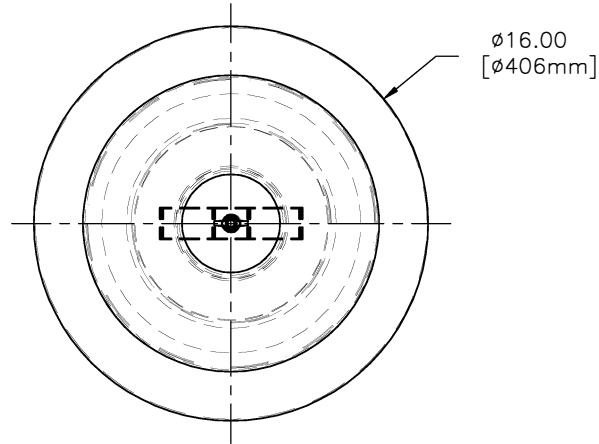
2"





2 1/2"





4"

