

357mm
(14,05")

446mm
(17,55")

Ø 29 HOLE

162mm
(6,37")

169mm
(6,65")

115mm
(25,4")

155mm
(6,10")

408mm
(16,06")

177mm
(6,69")

53mm
(2,08")

(INLET PORT)
PT 2"

374mm
(14,72")

623mm
(24,52")

60mm
(2,36")

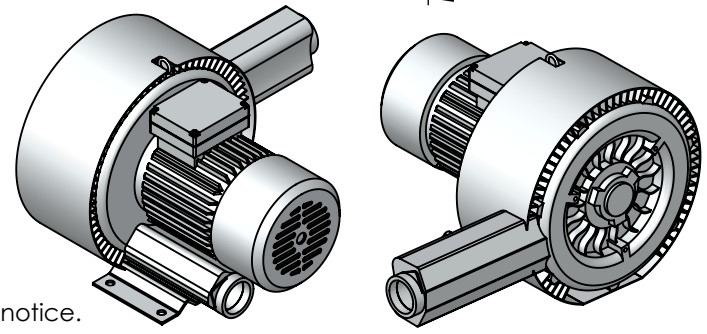
148mm
(5,82")

(DISCHARGE PORT)
PT 2"

4- Ø 15 HOLE

262mm
(10,31")

299mm
(11,77")



* The allowable tolerance of dimension is ± 5 mm
 *The dimension can be changed for improvement without notice.

△		Date	Draw	Check	Appr.
N°	PACIFIC BLOWERS www.pacificblowers.com				
		Revision	Revision	Unit	Obs.
PB-602					
Size	Sheet	Scale	Third Angle		